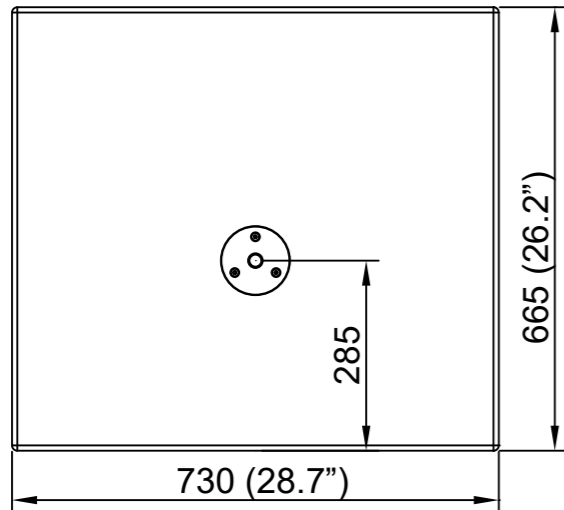
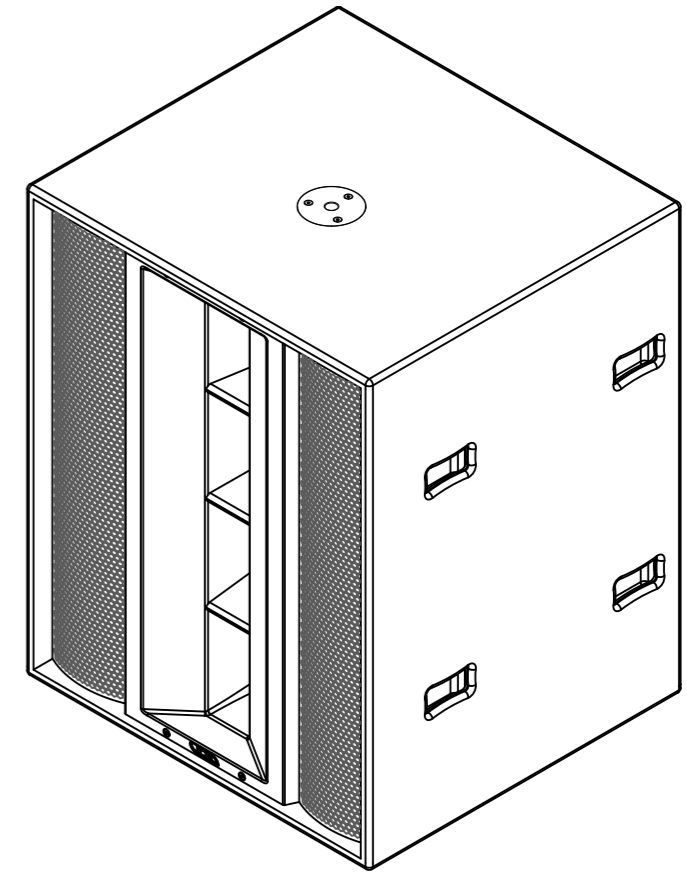
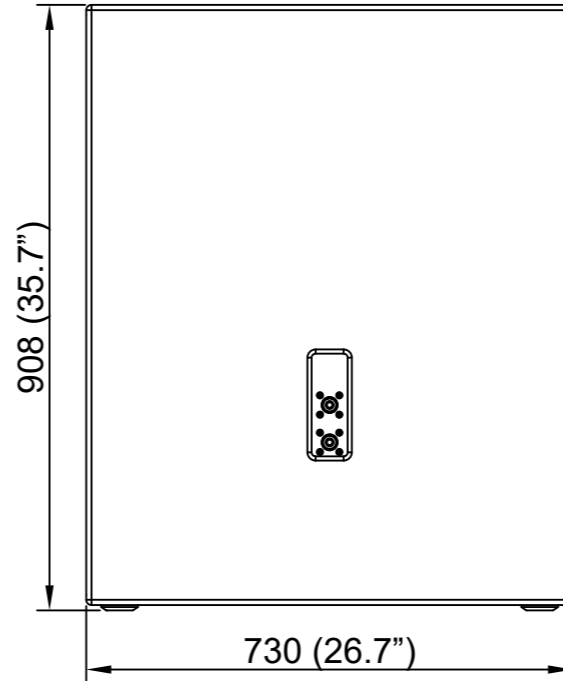
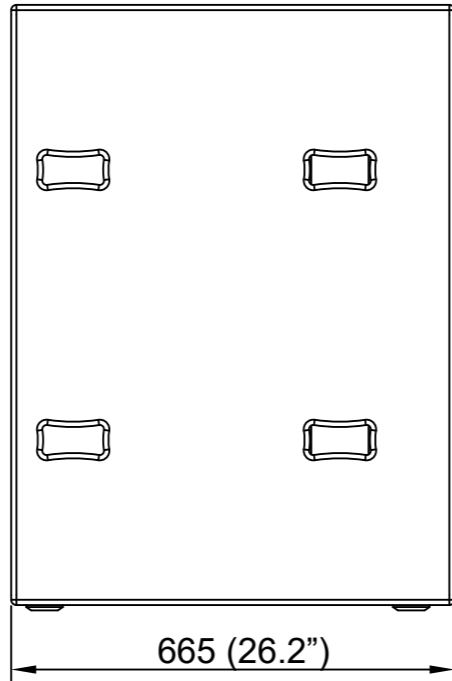
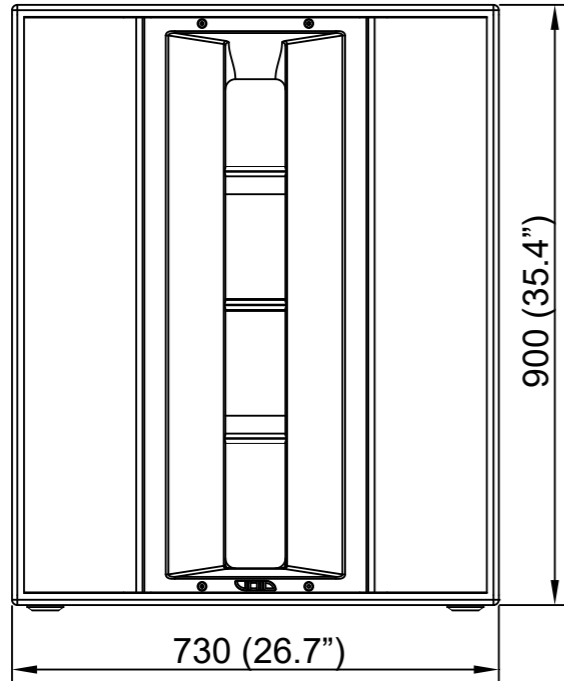
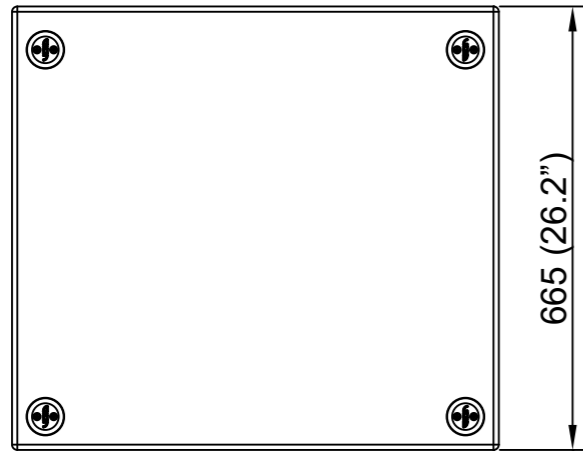


IF IN DOUBT ASK



TITLE: SUB VANTAGE		DRAWING No.	
PROJECT:		SAP No.	REV.
MATERIAL:	THICKNESS (mm)	EST. WEIGHT (kg)	
FINISH:	COLOR:	TEXTURE:	
THIRD ANGLE PROJECTION TO BS 8888		SCALE: NOT TO SCALE	SHT 1 OF 1 SHTS
		SHEET A3	
VOIDACOUSTICS.COM			
REPRODUCTION OF ANY PART OF THIS DOCUMENT IS FORBIDDEN WITHOUT PRIOR PERMISSION FROM VOID ACOUSTICS. DESIGN COPYRIGHT RESERVED. CONFIDENTIAL AND PROPRIETARY INFORMATION OF VOID ACOUSTICS.			