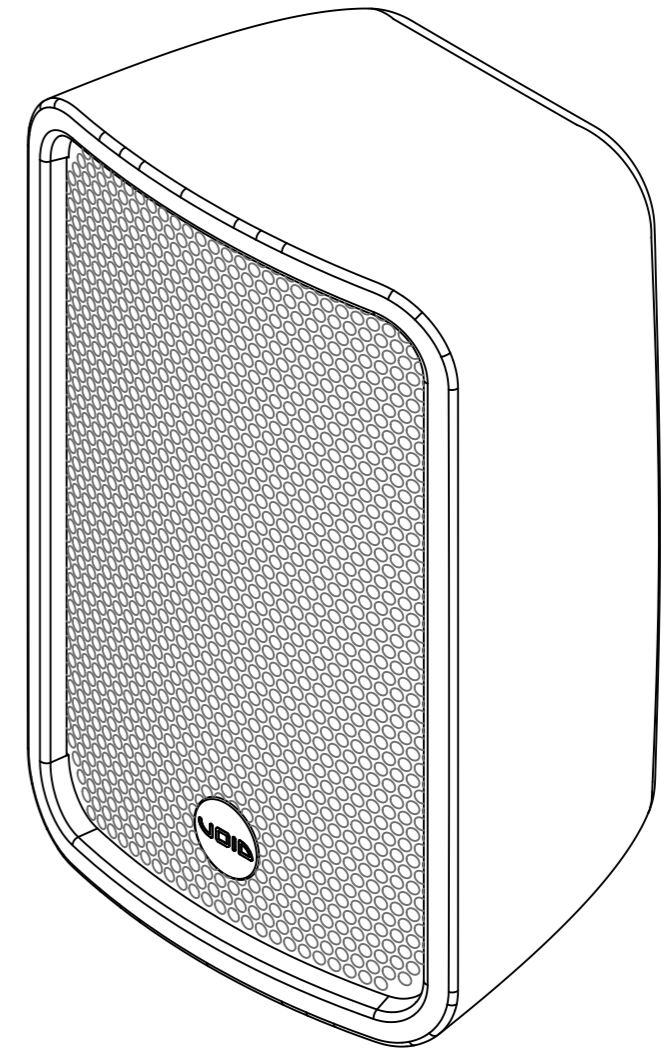
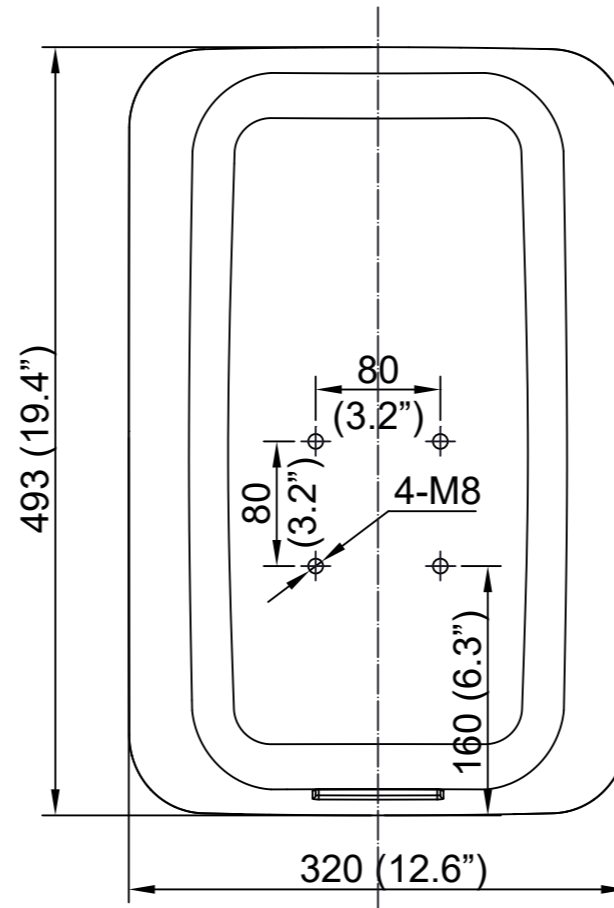
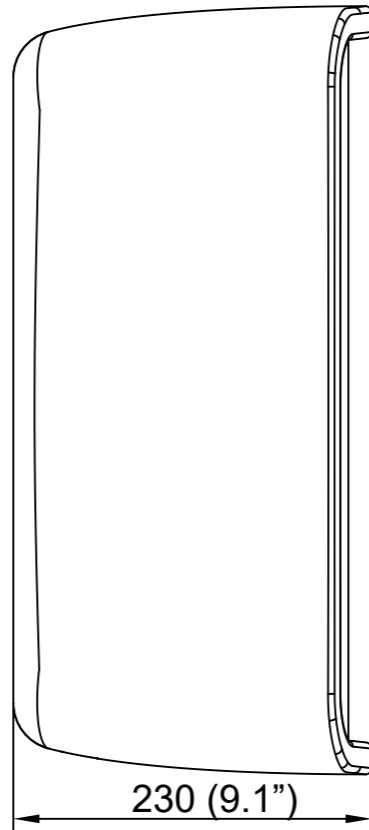
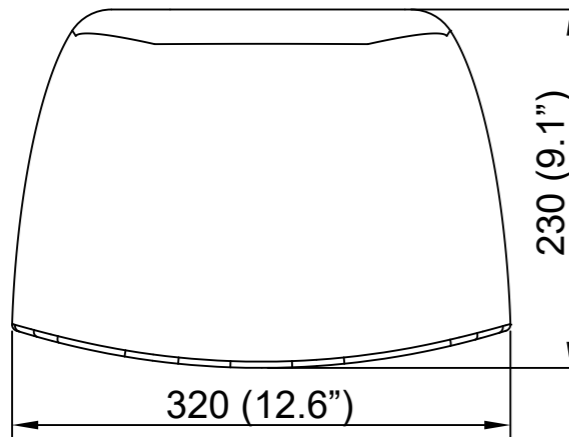
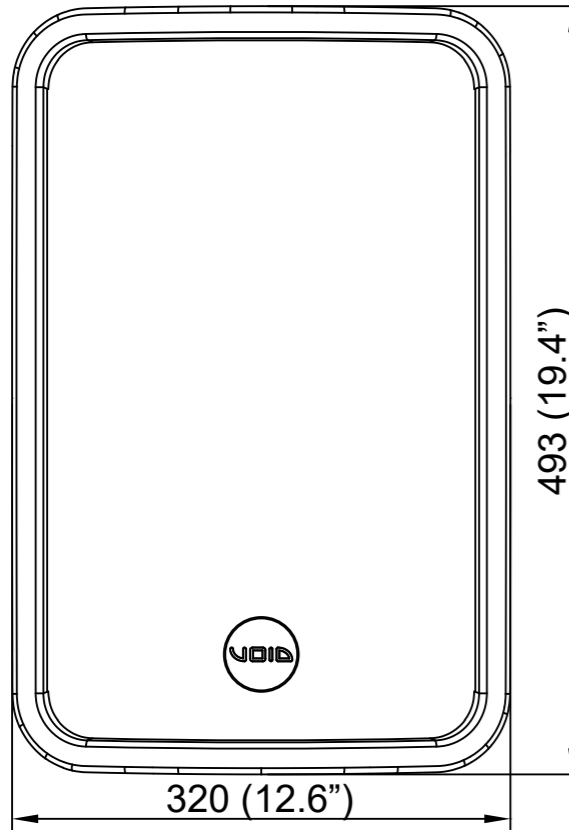
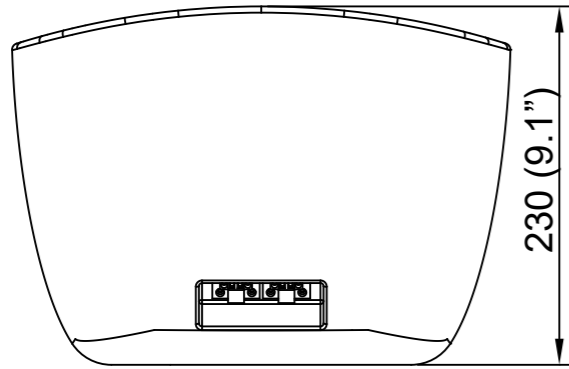


IF IN DOUBT ASK



TITLE: CYCLONE 10		DRAWING No.	
PROJECT:	SAP No.	REV.	V1.0
MATERIAL:	GUAGE: (mm)	EST. WEIGHT: (kg)	
FINISH:	COLOR:	TEXTURE:	
THIRD ANGLE PROJECTION TO BS 8888		SCALE: NOT TO SCALE	SHT 1 OF 1 SHTS SHEET A3
<b>VOID</b> VOIDACOUSTICS.COM			
REPRODUCTION OF ANY PART OF THIS DOCUMENT IS FORBIDDEN WITHOUT PRIOR PERMISSION FROM VOID ACUSTICS. © DESIGN COPYRIGHT RESERVED. CONFIDENTIAL AND PROPRIETARY INFORMATION OF VOID ACUSTICS.			