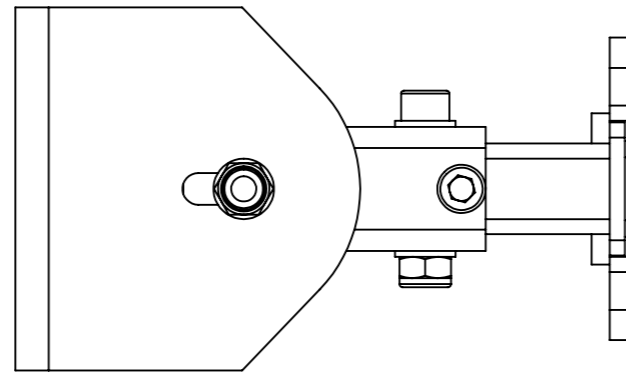
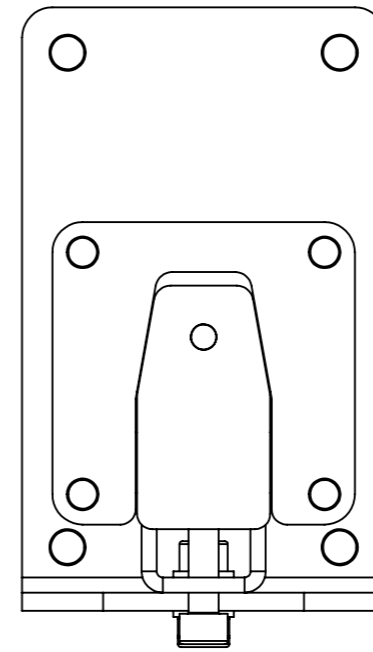
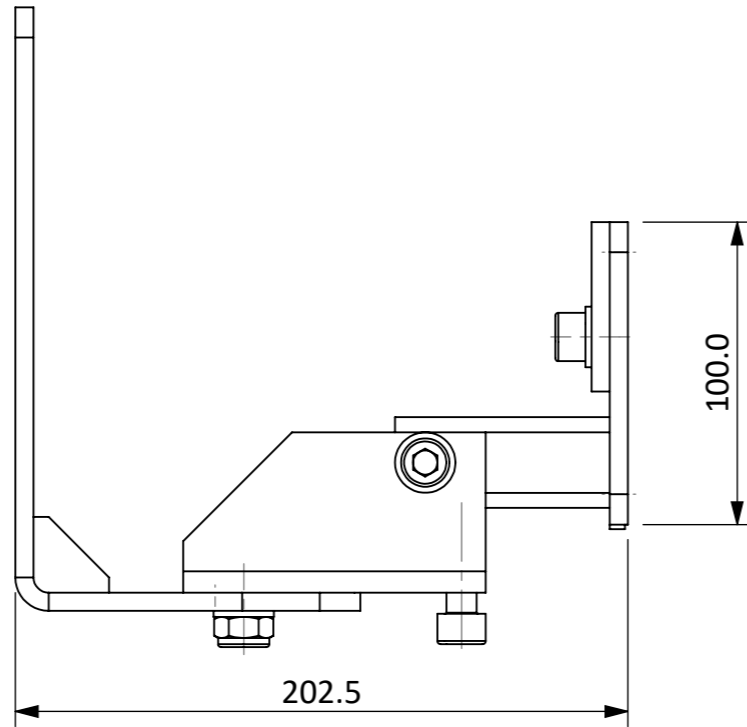
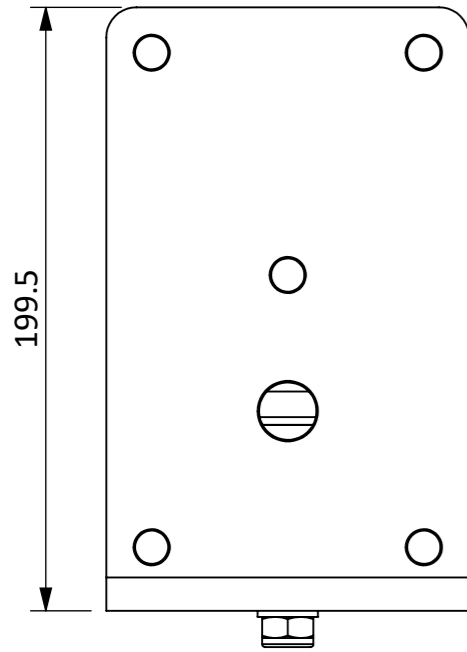
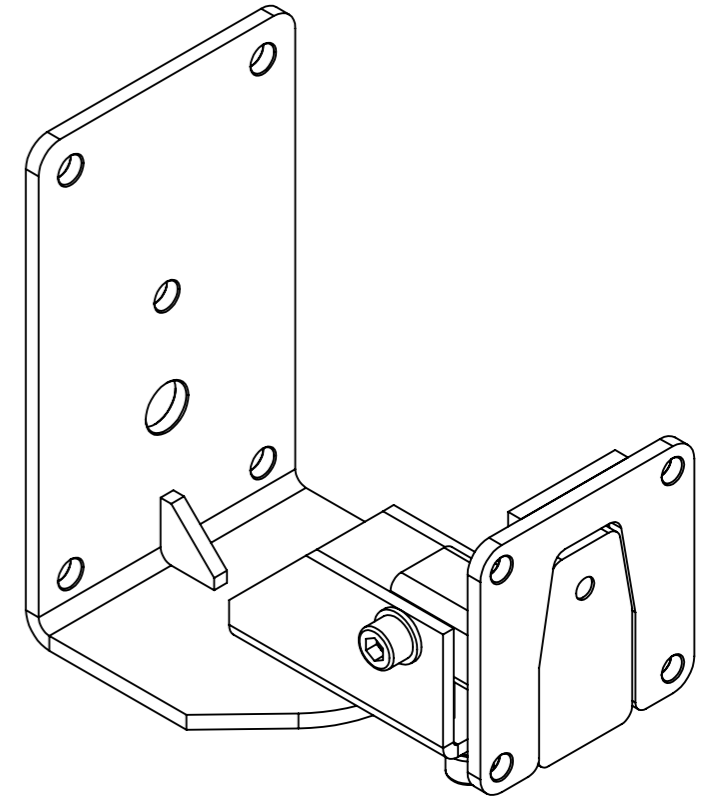
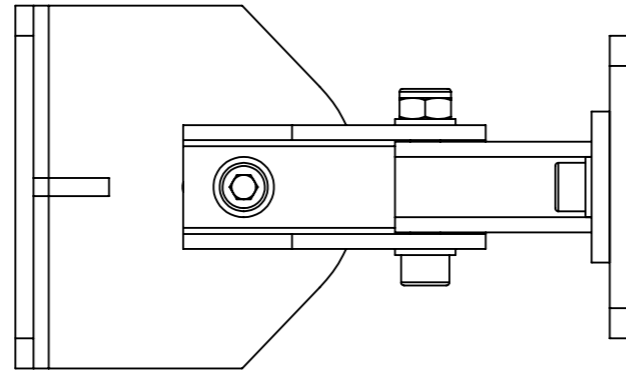


IF IN DOUBT ASK



	NAME	DATE	DIMENSIONS IN MILLIMETRES			
DRAWN	SHENG	22/09/2020	FABRICATION <small>UNLESS OTHERWISE STATED</small>		MACHINING <small>UNLESS OTHERWISE STATED</small>	
CHECKED			UP TO 300mm +/-0.2mm	0, mm	+/- 0.5 mm	BREAK EDGE
APPROVED			300mm-500mm +/-0.5mm	0,0 mm	+/- 0.2 mm	0.05 - 0.15mm
			500mm - 1m +/-1.0mm	0,00mm	+/- 0.1mm	FILLET RADS
			1m - 5m +/-2.0mm	0,000mm	+/- 0.01mm	0.1 - 0.3mm
			ANGULAR ±1°	ANGULAR	±0,5°	
			<small>SURFACE TEXTURE VALUES IN MICROMETRES (µm) TO BS1134-PT2. ALL MACHINED SURFACES TO BE ✓ ALL SCREW THREADS TO BS3643 PT.2.</small>			

TITLE: T80XL WALL BRACKET		DRAWING No. BR10176-101	
PROJECT: BRACKETS		SAP No. IT1114	REV. 1
MATERIAL: AS ABOVE	GUAGE: (mm)	EST. WEIGHT: (Kg) 3.00	
FINISH: AS ABOVE	COLOUR: BLACK	TEXTURE: SMOOTH	
THIRD ANGLE PROJECTION TO BS 8888	SCALE: 1:2.5	SHT 1 OF 1 SHTS	SHEET: A3



REPRODUCTION OF ANY PART OF THIS DOCUMENT IS FORBIDDEN WITHOUT PRIOR PERMISSION FROM VOID ACOUSTICS RESEARCH LTD.
Registered in England & Wales No. 07533536
 © DESIGN COPYRIGHT RESERVED.
 CONFIDENTIAL AND PROPRIETARY INFORMATION OF VOID ACOUSTICS RESEARCH LTD.