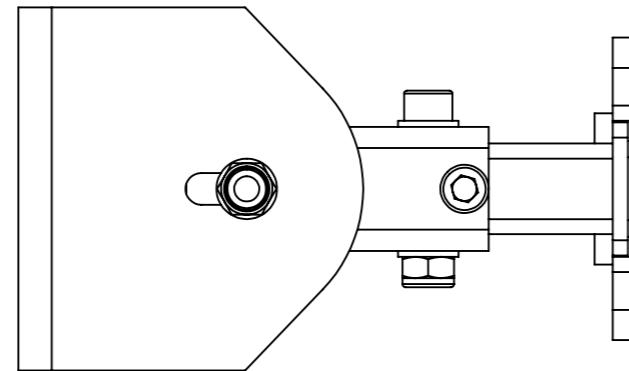
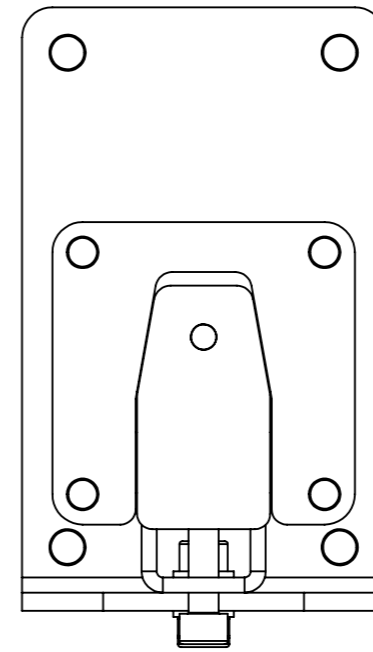
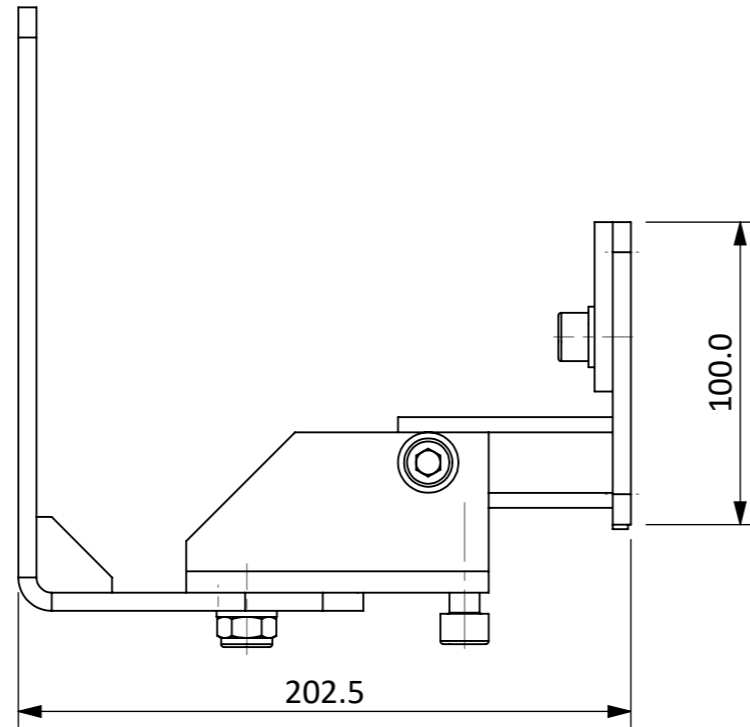
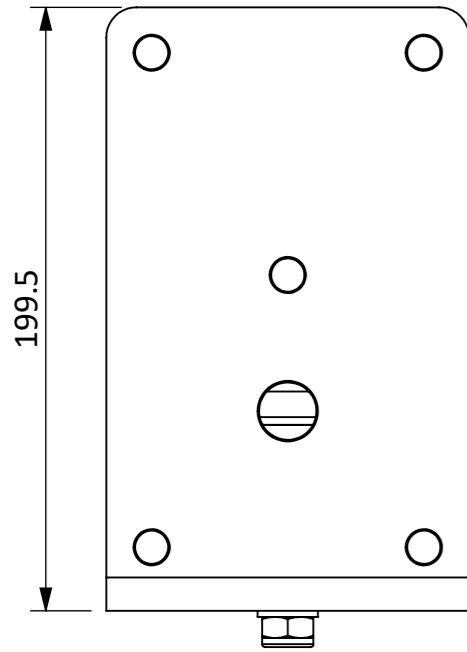
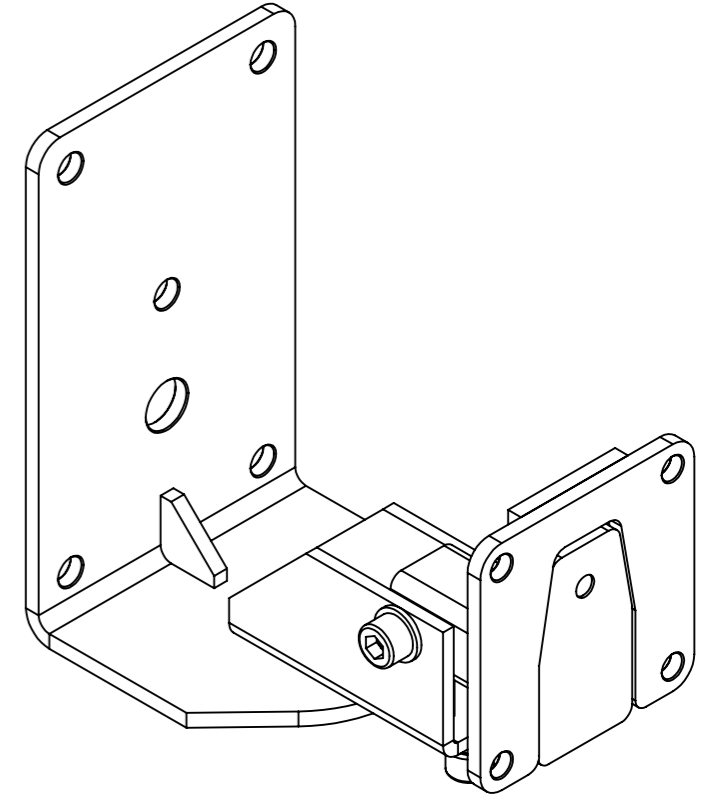
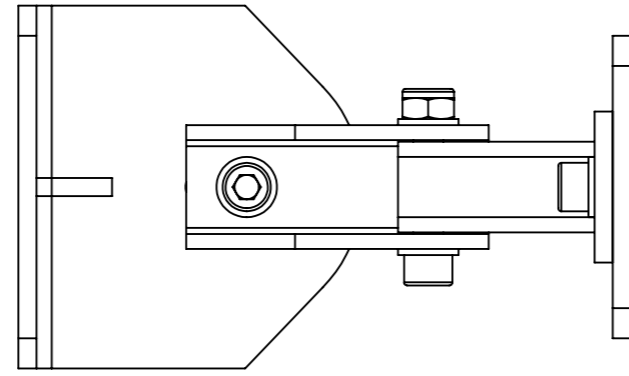


IF IN DOUBT ASK



		NAME	DATE	DIMENSIONS IN MILLIMETRES			
DRAWN	SHENG	22/09/2020	FABRICATION <small>UNLESS OTHERWISE STATED</small>		MACHINING <small>UNLESS OTHERWISE STATED</small>		
CHECKED			UP TO 300mm	+/-0.2mm	0, mm	+/- 0.5 mm	BREAK EDGE
APPROVED			300mm-500mm	+/-0.5mm	0,0 mm	+/- 0.2 mm	0.05 - 0.15mm
			500mm - 1m	+/-1.0mm	0,00mm	+/- 0.1mm	FILLET RADS
			1m - 5m	+/-2.0mm	0,000mm	+/- 0.01mm	0.1 - 0.3mm
			ANGULAR	±1°	ANGULAR	±0,5°	
			<small>SURFACE TEXTURE VALUES IN MICROMETRES (µm) TO BS1134-PT2. ALL MACHINED SURFACES TO BE ✓</small>				
			<small>ALL SCREW THREADS TO BS3643 PT.2.</small>				

TITLE: <b>T80XL WALL BRACKET</b>		DRAWING No. <b>BR10176-101</b>	
PROJECT: <b>BRACKETS</b>		SAP No. <b>IT1115</b>	REV. <b>1</b>
MATERIAL: <b>AS ABOVE</b>	GUAGE: (mm)	EST. WEIGHT: (Kg) <b>3.00</b>	
FINISH: <b>AS ABOVE</b>	COLOUR: <b>WHITE</b>	TEXTURE: <b>SMOOTH</b>	
THIRD ANGLE PROJECTION TO BS 8888	SCALE: <b>1:2.5</b>	SHT 1 OF 1 SHTS	SHEET: <b>A3</b>



REPRODUCTION OF ANY PART OF THIS DOCUMENT IS FORBIDDEN WITHOUT PRIOR PERMISSION FROM VOID ACOUSTICS RESEARCH LTD.  
Registered in England & Wales No. 07533536  
 © DESIGN COPYRIGHT RESERVED.  
 CONFIDENTIAL AND PROPRIETARY INFORMATION OF VOID ACOUSTICS RESEARCH LTD.