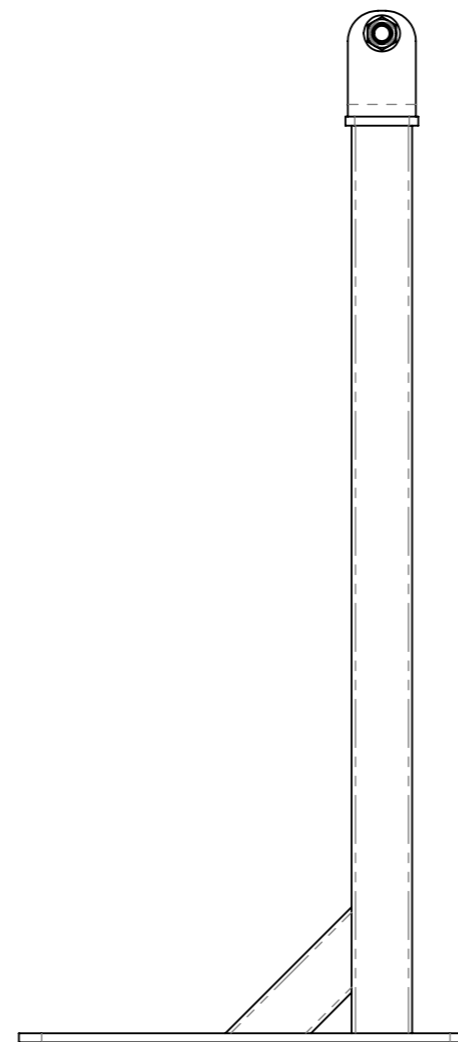
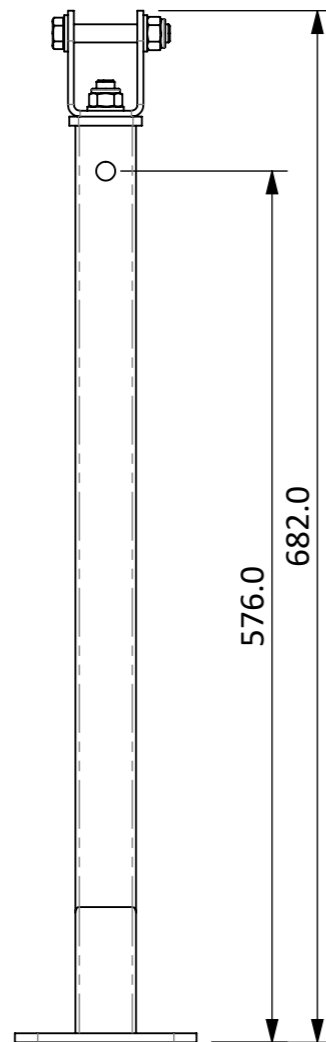
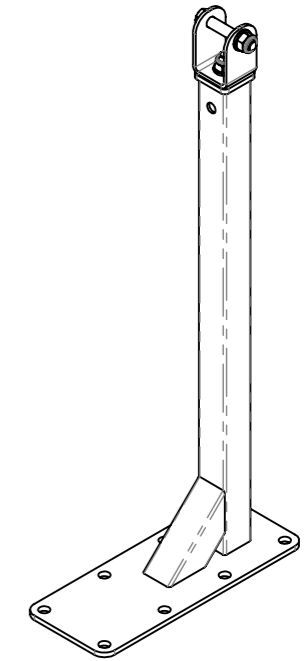
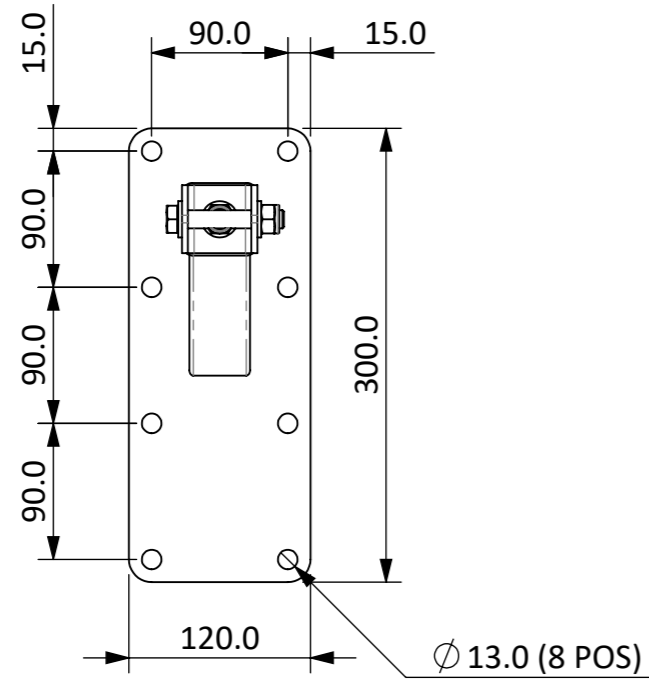


IF IN DOUBT ASK

ISSUE	DATE	DRAWN	ECR No	CHECKED	APPROVED
	15/10/2020	JB		DR	AS



DIMENSIONS IN MILLIMETRES			
FABRICATION <small>UNLESS OTHERWISE STATED</small>		MACHINING <small>UNLESS OTHERWISE STATED</small>	
UP TO 300mm	+/-0.2mm	0, mm	+/- 0.5 mm BREAK EDGE
300mm-500mm	+/-0.5mm	0,0 mm	+/- 0.2 mm 0.05 - 0.15mm
500mm - 1m	+/-1.0mm	0,00mm	+/- 0.1mm FILLET RADS
1m - 5m	+/-2.0mm	0,000mm	+/- 0.01mm 0.1 - 0.3mm
ANGULAR	$\pm 1^\circ$	ANGULAR	$\pm 0,5^\circ$

SURFACE TEXTURE VALUES IN MICROMETRES (μm) TO BS1134-PT2. ALL MACHINED SURFACES TO BE $\sqrt{\text{ }}$. ALL SCREW THREADS TO BS3643 PT.2.

TITLE: TU MULTI BRACKET - 600mm		DRAWING No. BR10424-002	
PROJECT: BRACKETS		SAP No. IT1089	
MATERIAL: AS ABOVE		EST. WEIGHT: (Kg) 4.31	
FINISH:		COLOUR: WHITE	TEXTURE:
THIRD ANGLE PROJECTION TO BS 8888		SCALE: 1:5	SHT 1 OF 1 SHTS SHEET: A3



REPRODUCTION OF ANY PART OF THIS DOCUMENT IS FORBIDDEN WITHOUT PRIOR PERMISSION FROM VOID ACOUSTICS RESEARCH LTD. Registered in England & Wales No. 07533536 © DESIGN COPYRIGHT RESERVED. CONFIDENTIAL AND PROPRIETARY INFORMATION OF VOID ACOUSTICS RESEARCH LTD.