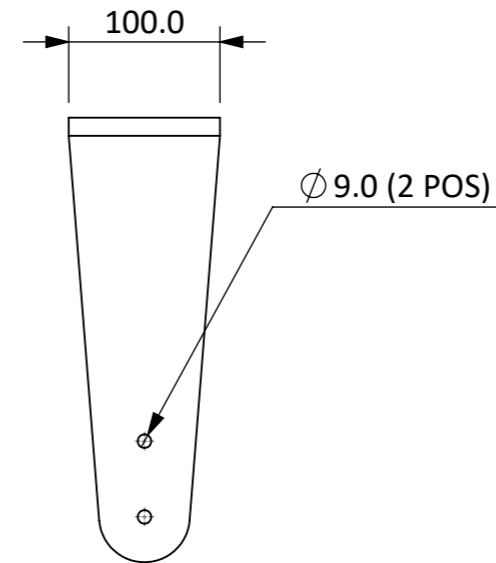
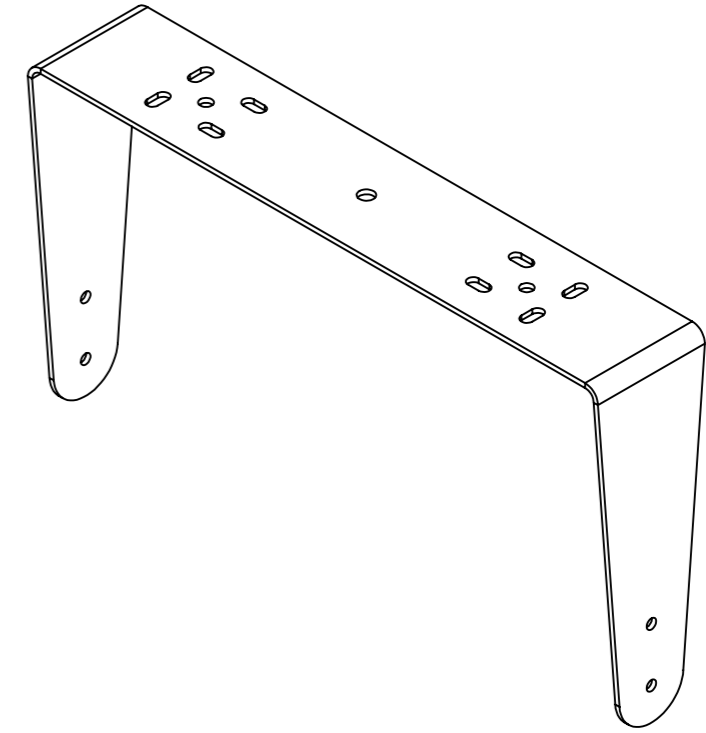
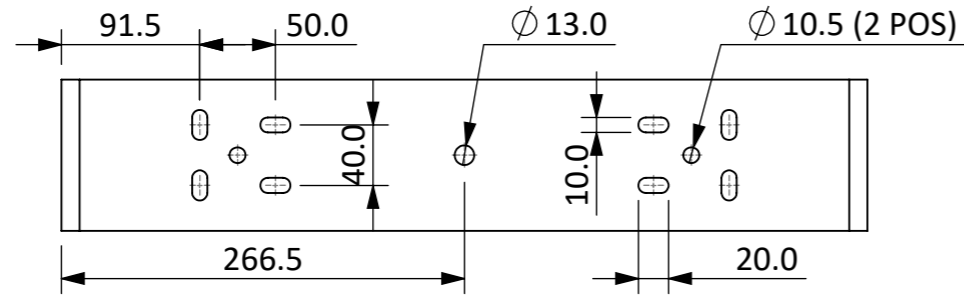


IF IN DOUBT ASK

| ISSUE | DATE       | DRAWN | ECR No | CHECKED | APPROVED |
|-------|------------|-------|--------|---------|----------|
| 1     | 20/03/2020 | JB    |        | DR      | AS       |



| DIMENSIONS IN MILLIMETRES                             |          |   |                          |
|---|----------|---|--------------------------|
| FABRICATION<br><small>UNLESS OTHERWISE STATED</small> |          | MACHINING<br><small>UNLESS OTHERWISE STATED</small> |                          |
| UP TO 300mm   | +/-0.2mm | 0, mm   | +/- 0.5 mm BREAK EDGE    |
| 300mm-500mm   | +/-0.5mm | 0,0 mm  | +/- 0.2 mm 0.05 - 0.15mm |
| 500mm - 1m  | +/-1.0mm | 0,00mm  | +/- 0.1mm FILLET RADDS   |
| 1m - 5m   | +/-2.0mm | 0,000mm   | +/- 0.01mm 0.1 - 0.3mm   |
| ANGULAR   | ±1°      | ANGULAR   | ±0,5°                    |

SURFACE TEXTURE VALUES IN MICROMETRES (µm) TO BS1134-PT2.  
ALL MACHINED SURFACES TO BE ✓ ALL SCREW THREADS TO BS3643 PT.2.

|  |                      |                                   |                     |
|--|----------------------|-----------------------------------|---------------------|
| TITLE:<br><b>VENU 12 V2 YOKE BRACKET - WHITE</b> |                      | DRAWING No.<br><b>BR10236-202</b> |                     |
| PROJECT:<br><b>BRACKETS</b>                      |                      | SAP No.<br><b>IT2023</b>          |                     |
| MATERIAL:<br><b>MILD STEEL</b>                   |                      | EST. WEIGHT: (Kg)<br><b>0.38</b>  |                     |
| FINISH:  |                      | COLOUR:<br><b>WHITE</b>           | TEXTURE:            |
| THIRD ANGLE<br>PROJECTION TO BS 8888             | SCALE:<br><b>1:5</b> | SHT 1<br>OF<br>1 SHTS             | SHEET:<br><b>A3</b> |



REPRODUCTION OF ANY PART OF THIS DOCUMENT IS FORBIDDEN WITHOUT PRIOR PERMISSION FROM VOID ACOUSTICS RESEARCH LTD.  
Registered in England & Wales No. 07533536  
 © DESIGN COPYRIGHT RESERVED.  
 CONFIDENTIAL AND PROPRIETARY INFORMATION OF VOID ACOUSTICS RESEARCH LTD.