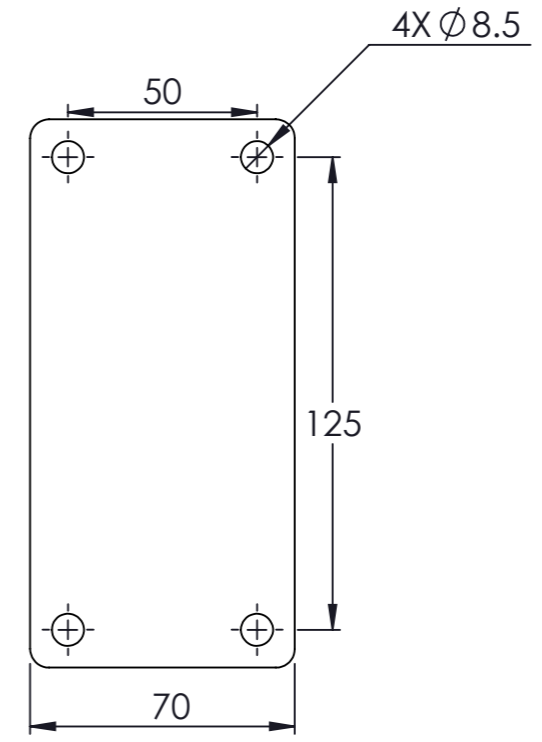
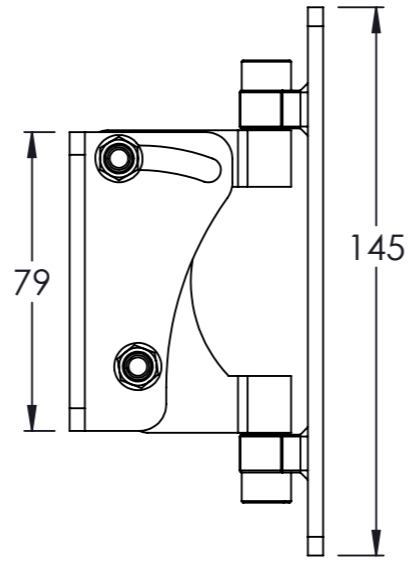
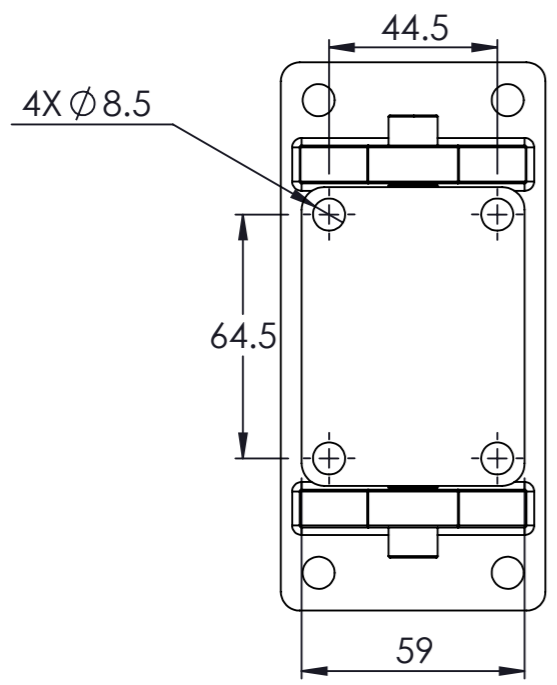
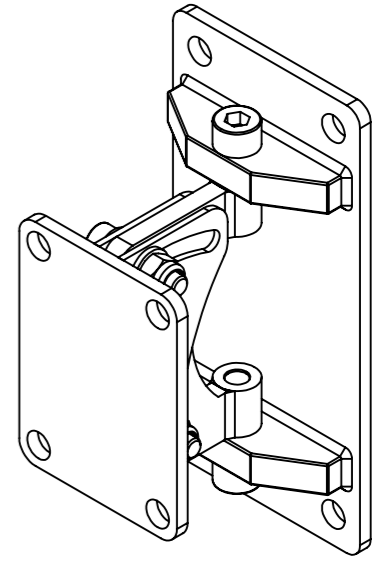
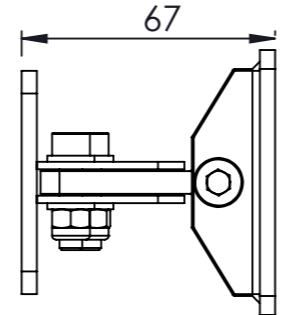


IF IN DOUBT ASK

ISSUE	DATE	DRAWN	ECR No	CHECKED	APPROVED
1	20/05/2020	SHEN			



DIMENSIONS IN MILLIMETRES			
FABRICATION UNLESS OTHERWISE STATED		MACHINING UNLESS OTHERWISE STATED	
UP TO 300mm	+/-0.2mm	0, mm	+/- 0.5 mm
300mm-500mm	+/-0.5mm	0,0 mm	+/- 0.2 mm
500mm - 1m	+/-1.0mm	0,00mm	+/- 0.1mm
1m - 5m	+/-2.0mm	0,000mm	+/- 0.01mm
ANGULAR	±1°	ANGULAR	±0,5°

SURFACE TEXTURE VALUES IN MICROMETRES (µm) TO BS1134-PT2.  
ALL MACHINED SURFACES TO BE ✓ ALL SCREW THREADS TO BS3643 PT.2.

TITLE: <b>MOUNTING BRACKET ASSY</b>		DRAWING No. <b>BR10294-101</b>	
PROJECT: <b>INDIGO 6 PRO</b>		SAP No.	
MATERIAL: <b>AS ABOVE</b>		EST. WEIGHT: (Kg) <b>0.79</b>	
FINISH: <b>AS ABOVE</b>		COLOUR: <b>BLACK</b>	TEXTURE: <b>SMOOTH</b>
THIRD ANGLE PROJECTION TO BS 8888	SCALE: <b>1:2</b>	SHT 1 OF 1 SHTS	SHEET: <b>A3</b>



REPRODUCTION OF ANY PART OF THIS DOCUMENT IS FORBIDDEN WITHOUT  
PRIOR PERMISSION FROM VOID ACOUSTICS RESEARCH LTD.  
Registered in England & Wales No. 07533536  
© DESIGN COPYRIGHT RESERVED.  
CONFIDENTIAL AND PROPRIETARY INFORMATION OF VOID ACOUSTICS RESEARCH LTD.