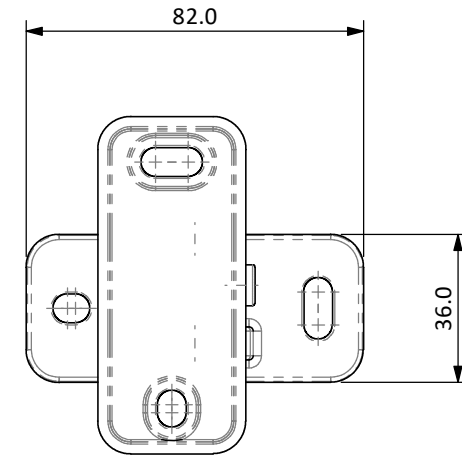
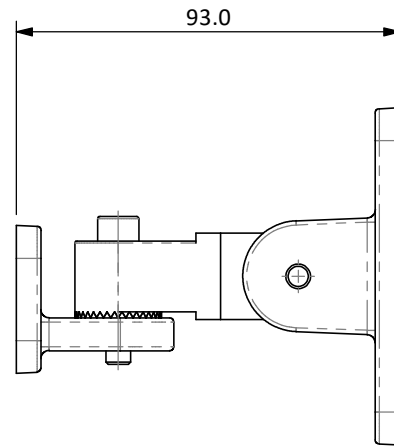
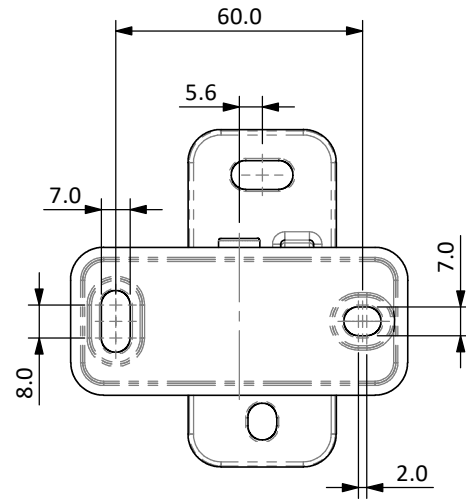
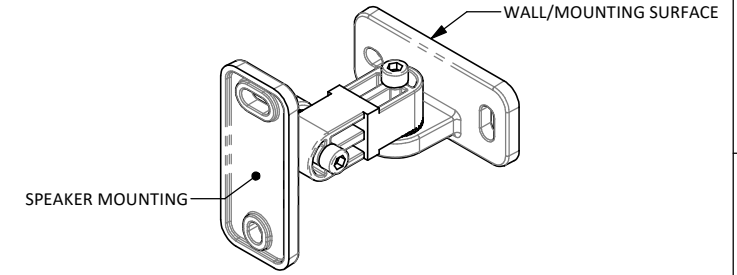
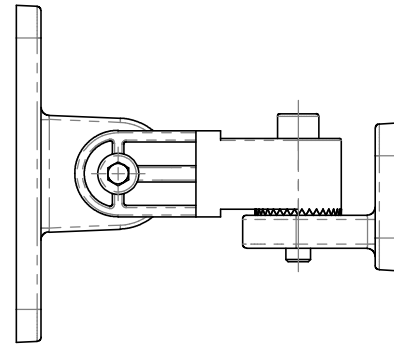


IF IN DOUBT ASK

ISSUE	DATE	DRAWN	ECR No	CHECKED	APPROVED
1	21/04/2020	SHEN	NEW DWG	JB	DR



TITLE: MOUNTING BRACKET		DRAWING No. BR10264-101	
PROJECT: INDIGO 6s		SAP No. IT1119	
MATERIAL: ADC12 ALLOY		EST. WEIGHT: (Kg) 0.16	
FINISH: POWDER COAT MATT (HMG)	COLOUR: BLACK	TEXTURE: SMOOTH	
THIRD ANGLE PROJECTION TO BS 8888	SCALE: 1:1.3	SHT 1 OF 1 SHTS	SHEET: A3

DIMENSIONS IN MILLIMETRES			
FABRICATION UNLESS OTHERWISE STATED		MACHINING UNLESS OTHERWISE STATED	
UP TO 300mm	+/- 0.2mm	0, mm	+/- 0.5 mm
300mm-500mm	+/- 0.5mm	0.0 mm	+/- 0.2 mm
500mm - 1m	+/- 1.0mm	0.000mm	+/- 0.1mm
1m - 5m	+/- 2.0mm	0.000mm	+/- 0.01mm
ANGULAR	±1°	ANGULAR	±0.5°

VOID
VOIDACOUSTICS.COM

REPRODUCTION OF ANY PART OF THIS DOCUMENT IS FORBIDDEN WITHOUT PRIOR PERMISSION FROM VOID ACOUSTICS RESEARCH LTD.
DESIGN COPYRIGHT RESERVED.
CONFIDENTIAL AND PROPRIETARY INFORMATION OF VOID ACOUSTICS RESEARCH LTD.