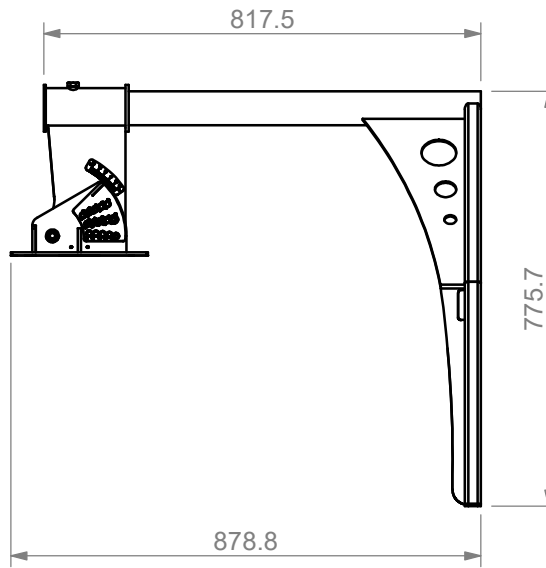
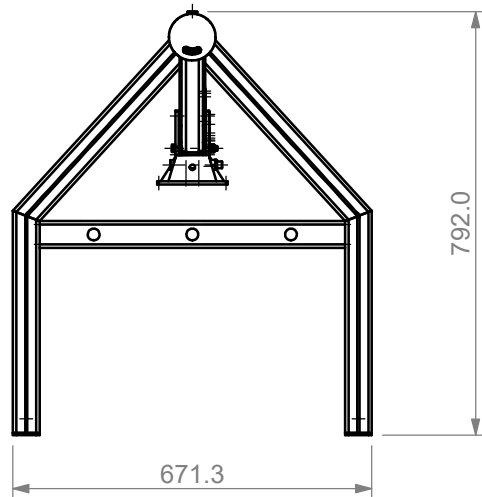
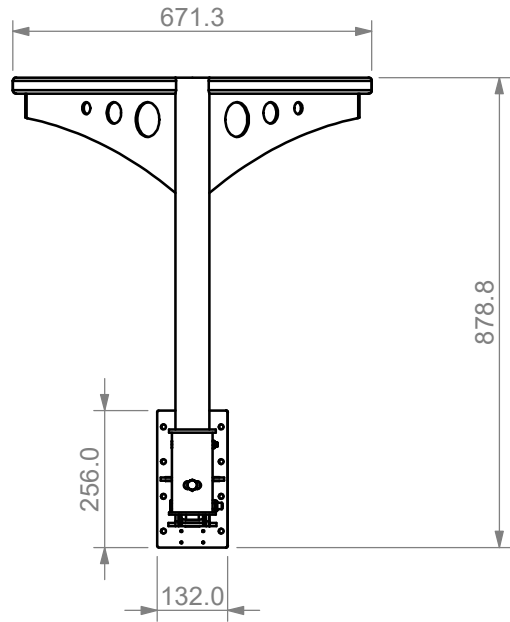


IF IN DOUBT ASK



DIMENSIONS IN MILLIMETRES			
FABRICATION UNLESS OTHERWISE STATED		MACHINING UNLESS OTHERWISE STATED	
UP TO 300mm	+/-0.2mm	0, mm	+/- 0.5 mm BREAK EDGE
300mm-500mm	+/-0.5mm	0.0 mm	+/- 0.2 mm 0.05 - 0.15mm
500mm - 1m	+/-1.0mm	0.00mm	+/- 0.1mm FILET RADIUS
1m - 5m	+/-2.0mm	0.000mm	+/- 0.01mm 0.1 - 0.3mm
ANGULAR	±1°	ANGULAR	±0.5°

SURFACE TEXTURE VALUES IN MICROMETRES (µm) TO BS1134 P2.  
 ALL MACHINED SURFACES TO BE ±0.15° ALL SCREW THREADS TO BS3643 P2.2.

TITLE: <b>Nexus 6 Ground Stack Bracket</b>	DRAWING No. <b>BR10453-101</b>		
PROJECT: SAP No. <b>IT1122</b>	EST. WEIGHT: (Kg) <b>25</b>		
MATERIAL:	FINISH:		
COLOUR:	TEXTURE/FINISH:		
THIRD ANGLE PROJECTION TO BS 8888	SCALE: <b>1:10</b>	SHT OF <b>1</b> SHTS	SHEET: <b>A3</b>



REPRODUCTION OF ANY PART OF THIS DOCUMENT IS FORBIDDEN WITHOUT  
 PRIOR PERMISSION FROM VOIDACOUSTICS RESEARCH LTD.  
Registered in England & Wales No. 2733559  
 © DESIGN COPYRIGHT RESERVED.  
 CONFIDENTIAL AND PROPRIETARY INFORMATION OF VOIDACOUSTICS RESEARCH LTD.