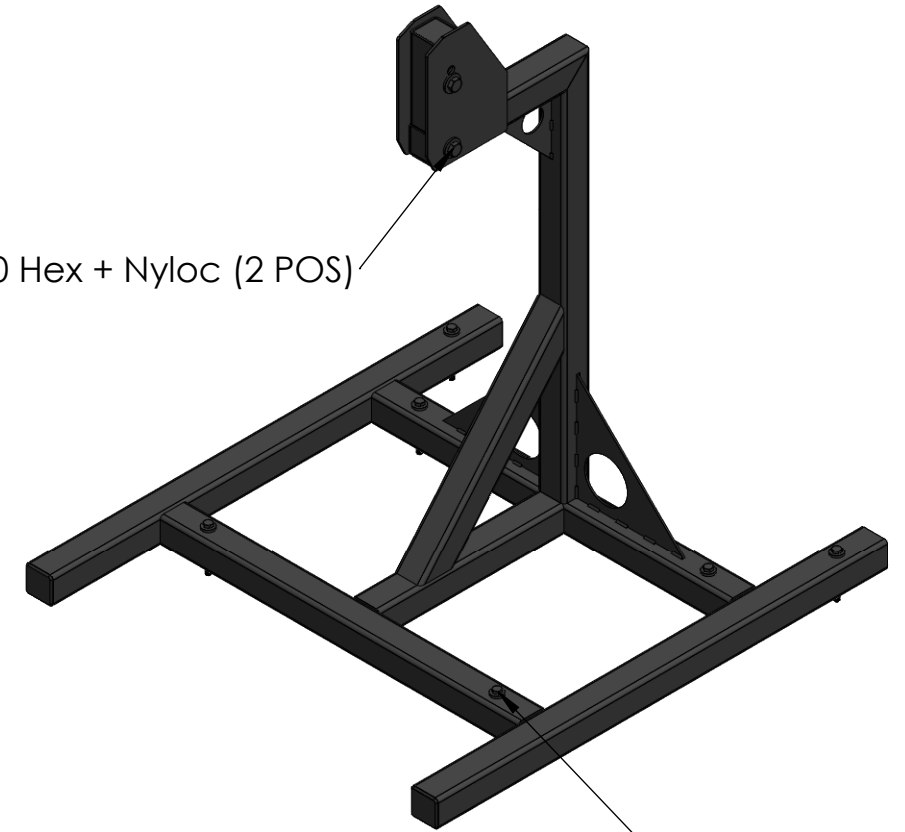
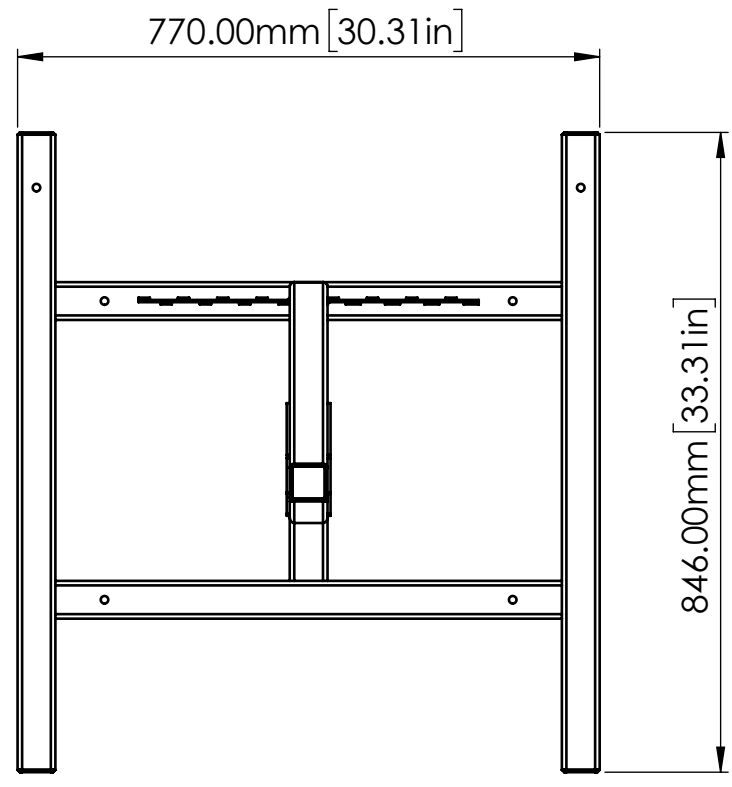


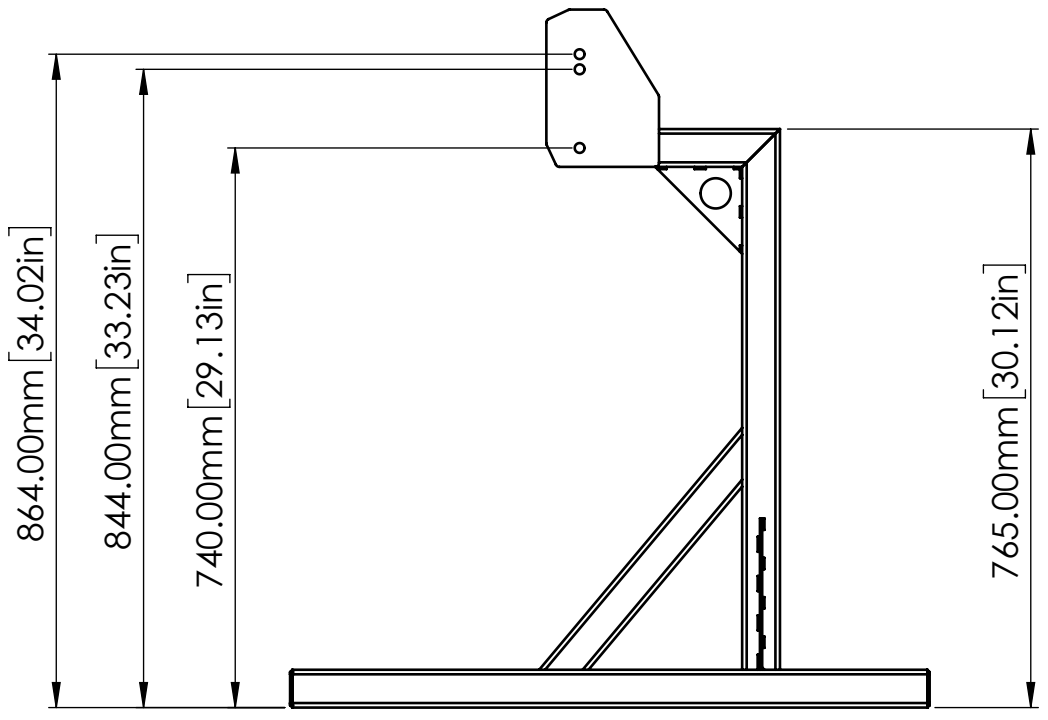
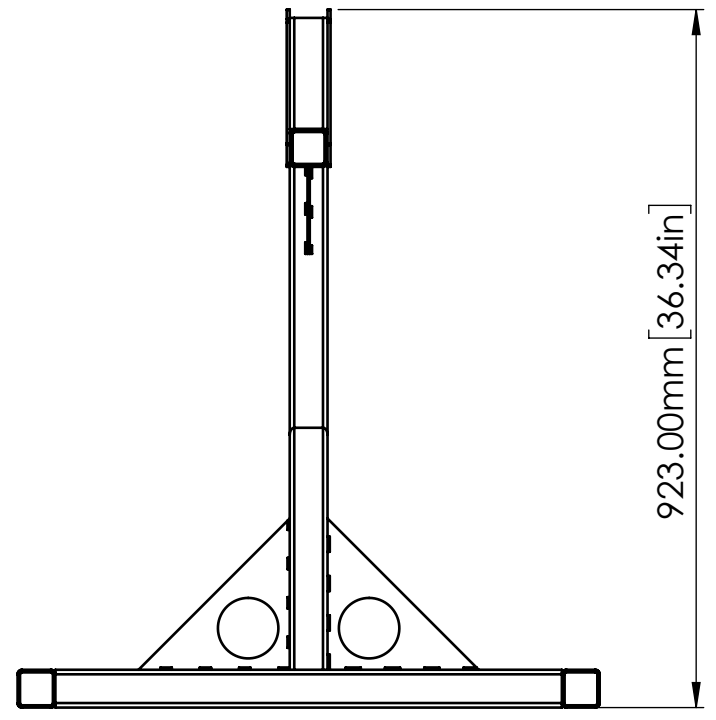
IF IN DOUBT ASK

REV	ECN No	CHANGE DESCRIPTION	DRAWN BY	CHECKED BY	APPROVED BY	APPROVED ON
1	n/a	Additional Production Drawing	MKJ	-	-	-



M12x90 Hex + Nyloc (2 POS)

M8x80 Hex (6 POS)



<b>TITLE:</b> Full Assembly		<b>DRAWING No.</b> BR10119-001		<b>SCALE:</b> 1:10		<b>THIRD ANGLE PROJECTION TO BS 8888</b>		<b>UNITS</b> UNLESS OTHERWISE STATED LINEAR - mm    WEIGHT - kg ANGULAR - degrees    TEMP - C°		<p><b>VOIDACOUSTICS.COM</b></p> <p>REPRODUCTION OF ANY PART OF THIS DOCUMENT IS FORBIDDEN WITHOUT PRIOR PERMISSION FROM VOIDACOUSTICS RESEARCH LTD. DESIGN COPYRIGHT RESERVED - CONFIDENTIAL AND PROPRIETARY INFORMATION OF VOIDACOUSTICS RESEARCH LTD. Registered in England &amp; Wales No. 07533536</p>
<b>PROJECT:</b> Air Array Ground Stack Bracket		<b>EST. WEIGHT (kg):</b> 23.74		<b>SAP No.</b> IT2239		<b>FABRICATION</b> UNLESS OTHERWISE STATED		<b>MACHINING</b> UNLESS OTHERWISE STATED		
<b>MATERIAL:</b> Material <not specified>		<b>COLOUR:</b> RAL9005 (BLACK)		<b>SHT 1 OF 1 SHTS</b>		UP TO 300mm ±0.2 300mm-500mm ±0.5 500mm - 1m ±1.0 1m - 5m ±2.0 ANGULAR ±1		0mm ±0.5 0.0mm ±0.2 0.00mm ±0.1 0.000mm ±0.01 ANGULAR ±0.5		
<b>FINISH:</b> POWDER COAT MATTE		<b>TEXTURE/FINISH:</b> SMOOTH		<b>SHEET:</b> A3		SURFACE TEXTURE VALUES IN MICROMETRES (µm) TO BS1134 P12 ALL MACHINED SURFACES TO BE ✓ ALL SCREW THREADS TO BS3643 PT.2		BREAK EDGE 0.05 - 0.15 FILLET RADS 0.1 - 0.3		